

Zurich 5.

aspect 



Zurich 5 premium desking.



Free-standing linear



The Zurich 5 range offers elegant high-end design and market-leading features that enhance the benefits of activity-based and agile working environments, including:

- New Zealand design and manufacture using locally sourced and imported components, offering fast and reliable lead times, flexibility with design and assured quality and environmental standards
- A full range of height-adjustment options
- Technologically advanced and user-intuitive functions
- A wide selection of accessories to enhance the practical features and modern aesthetics
- A flexible desking solution that can be assembled and adapted easily



Back-to-back 120° triangle cluster

Zurich 5 is our premium range of flexible workpoints, a culmination of nearly 40 years of product design experience.

The Zurich 5 range features a variety of flexible configurations:

- Free-standing linear
- Back-to-back linear
- Free-standing 90°
- Free-standing 120°
- Back-to-back 120° cluster
- Back-to-back 120° triangle cluster

Zurich 5 is backed by our 10-year warranty on all components.

Desktop height adjustment

Electric sit-to-stand height adjustment with 660mm of rise. (low 590mm - high 1250mm)

Height is adjusted via a paddle at the desk edge.

A range of controller options are available from simple up/down paddles to digital displays with pre-set memory functions and Bluetooth enabled smartphone app functionality.



Other height-adjustment options include:

User adjust (low 580 – high 950mm)

A powder coated alloy handle located at the desk edge can be fully operated from a seated position and folds away when not in use.

Tech adjust (low 580 – high 780mm)

A cost effective system where adjustment can be done by a single person, while the desk is under full load, with the Allen key provided, through the desktop grommet.

Zurich 5 is also available as fixed-height desking set at 720mm.

Includes floor levelling glides.



Aspect's flagship desking range, meticulously crafted to offer best-in-class quality, design and functionality.



Cable management

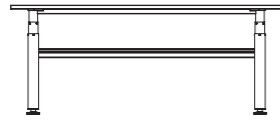
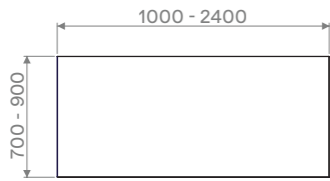
Desk sub-frames incorporate a continuous dual-channel cable tray, providing easy access, segregation between power and data and plenty of room for excess cable storage.

Cable trays include retainer clips to ensure tidy reticulation. Continuous cable tray covers are available as an option.

Design flexibility

Zurich 5 caters for all configurations with common components. Desks can be swapped between stand-alone and shared sub-frames easily and cost-effectively, providing complete floor planning flexibility.

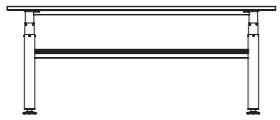
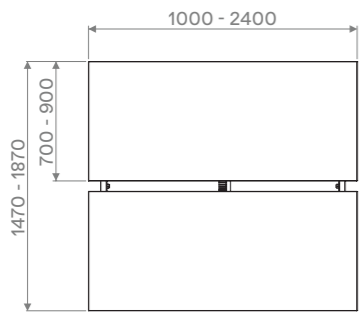
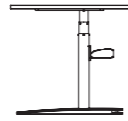
Zurich 5 is built to withstand repeated dismantling and re-assembly for long-term adaptability to the mobile workplace.



Free-standing linear

Zurich 5 free-standing workpoints are available in any size from 1000 - 2400mm.

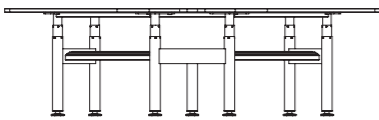
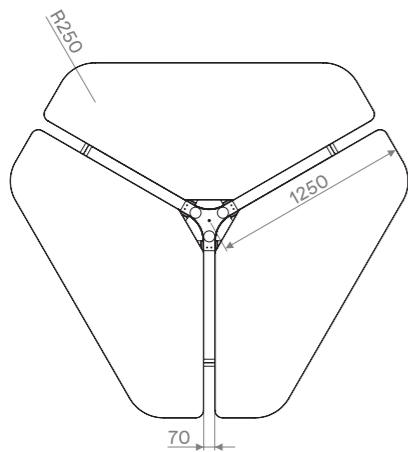
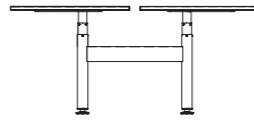
Custom sizes are available on request.



Back-to-back linear

Zurich 5 back-to-back workpoints are available in any size from 1000 - 2400mm.

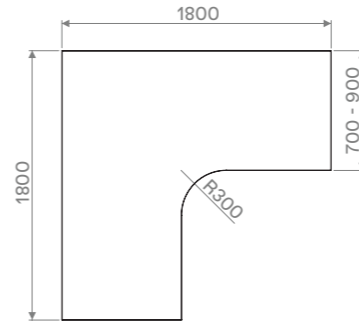
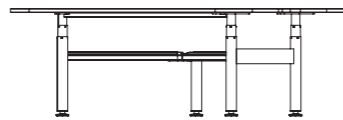
Custom sizes are available on request.



Back-to-back 120° triangle cluster

Zurich 5 is available in a 1250 x 1250mm 120° triangle cluster layout.

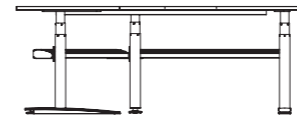
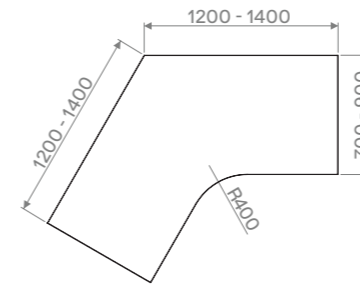
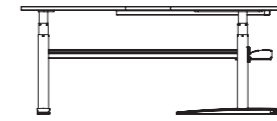
Custom sizes are available on request.



Free-standing 90°

Zurich 5 is available as a 1800 x 1800mm 90° free-standing workpoint.

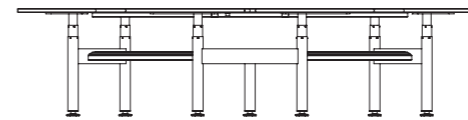
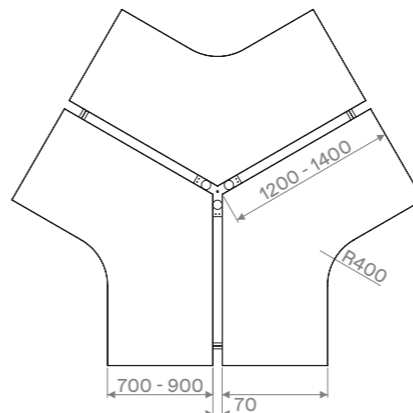
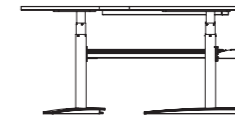
Custom sizes are available on request.



Free-standing 120°

Zurich 5 is available as a 120° free-standing workpoint.

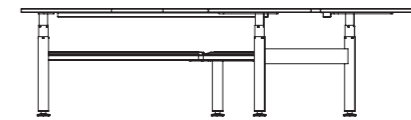
Custom sizes are available on request.



Back-to-back 120° cluster

Zurich 5 is available in a 120° 'snowflake' cluster layout.

Custom sizes are available on request.



All Zurich 5 sit-to-stand workpoints feature integrated anti-collision technology

Upon detection of an obstruction when raising or lowering the desk, the motor halts and reverses. The anti-collision solution provides a longer lifetime to your office equipment and improved safety for the user.



Desk Control app

Developed for adjustment of LINAK based desks, this app features the same functions as a regular desk panel, but allows you to adjust your desk via your tablet or smartphone. By downloading the Desk Control app you can gather the height adjustment of multiple applications in one app.

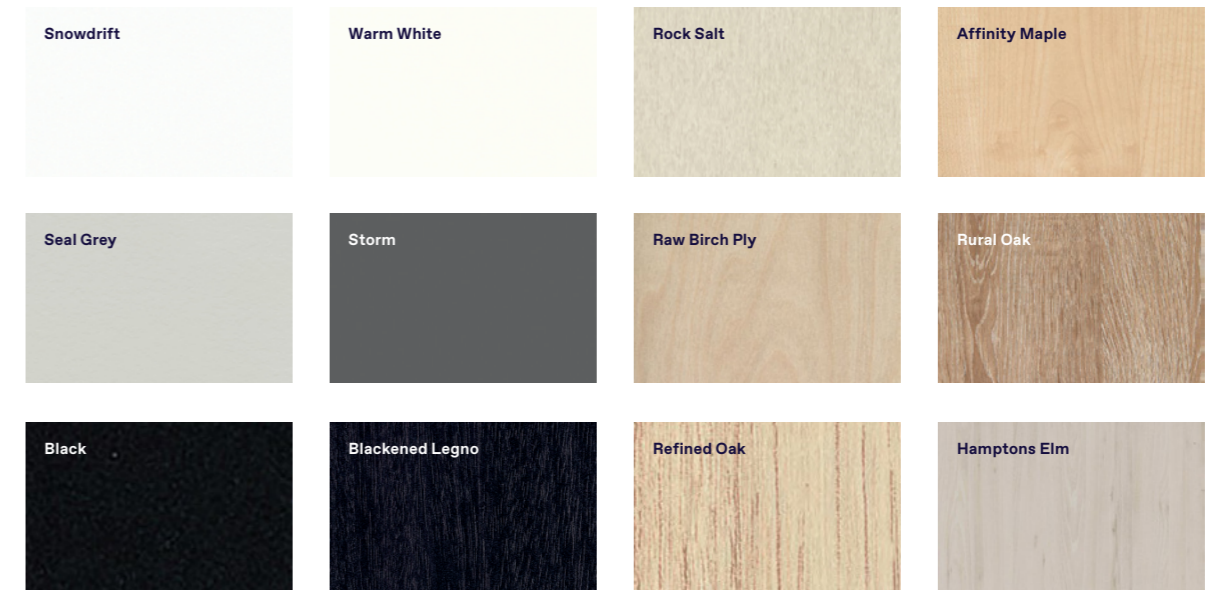
The Desk Control software is to be installed on your computer (PC or MAC) making the

use/adjustment of your desk very intuitive in your daily work. The software program contains the typical desk panel features like up/down adjustment, up to three memory positions and height read-out.

Additionally, the program reminds you to adjust your desk, counting the time you spent standing as well as the calories you've burned! The intervals are self-elected, making Desk Control a very personalised tool.

Desktop finishes

Choose from our wide array of standard laminate finishes. Custom finishes are available on request.



Sub-frame finishes

Powdercoat finishes are offered in three colours.





Choose from a wide selection of privacy screen and accessory options to personalise your space and enhance productivity.

Strata screens

Strata screens are minimal and contemporary, with full fabric coverage to all faces.

Strata screens can be mounted at a static height from the workpoint sub-frame, or bracketed from the desktop to adjust with the desk height.

Strata wrap screens

Strata wrap screens provide optimum privacy with a gently curving aesthetic that suits continuous flowing configurations or stand-alone pods. The curved format is easy to specify, simple to install and lightweight.

Strata wrap screens can be manufactured with acoustic material or with a standard pinnable substrate covered in the fabric of your choice.



Power add-ons

A complete range of compatible power and data outlets are available that clip directly into the cable tray without the need for additional brackets.



Cable sock

The cable sock neatly contains cabling from the cable tray to the underside of individual worktops. A full-length zip provides easy access so that cables can be efficiently loaded and managed. The cable sock is flexible so desks can be adjusted between sitting and standing heights.

Cable bridge

A continuous cable bridge can be provided to run between clusters so that reticulated cabling is completely concealed and supported. This cable bridge also serves as a connection between back-to-back workpoints.

We believe that high-performing spaces enable high-performing people.

We place a person's comfort and ease-of-use at the heart of every product and system we create. Aspect designers and workplace specialists help you create a complete office furniture solution that will inspire and support people in their work every day.

Back in 1982, from a small factory in Auckland, Aspect founder and CEO Richard Simmons made his very first furniture prototypes. Driven by a passion for craft and beautiful engineering, he steadily grew the business and is joined today by his three sons and an expert team of designers, engineers and workplace specialists across New Zealand and Australia. Today, Aspect makes collections at the leading edge of international product design, technology, and workplace best practice.

Our focus on crafted, fully resolved commercial furniture means Aspect collections are trusted by some of the largest public and private organisations around Australasia. With nearly 40 years' experience designing and manufacturing collections for the modern workplace, our office furniture has a reputation for being robust, ergonomic, and comfortable throughout the working day.

We make over 70 per cent of our product range in New Zealand and Australia for true control over design, quality, customisation, and lead times. You receive products quickly and reliably from a quality-assured environment. In addition

to speed and flexibility, local manufacturing also creates a smaller environmental footprint.

Our team of product designers and workplace specialists help you define and select a furniture solution to meet your workplace aspirations and project budget using durable and environmentally sound products.

Direct access to our furniture designers means greater flexibility and control over your solution, as we work from our collections, adapt existing products, or design new components.

Aspect Furniture operates ethical and sustainable business practices. We have certification from Good Environmental Choice Australia (GECA) and Environmental Choice New Zealand (ECNZ), and our products are aligned to the Green Star rating tool. Independent certifiers regularly audit our premises under the ISO 9001 and ISO 14001 quality and environmental management systems. Similarly, the health and safety of our employees is vital to our success, and we are certified to the globally recognised AS/NZS 4801 and ISO 45001 occupational health and safety standards.



Furniture, Fittings
and Flooring
Licence Number
3210076



Showrooms

Auckland
Wellington
Christchurch
Sydney
Melbourne
Canberra

New Zealand

0800 323 220
info@aspectfurniture.com

Australia

1800 696 334
infoau@aspectfurniture.com

aspectfurniture.com