

Stork.

aspect 



Stork table and leaner.



Meeting table

A contemporary re-interpretation
of the humble trestle table.

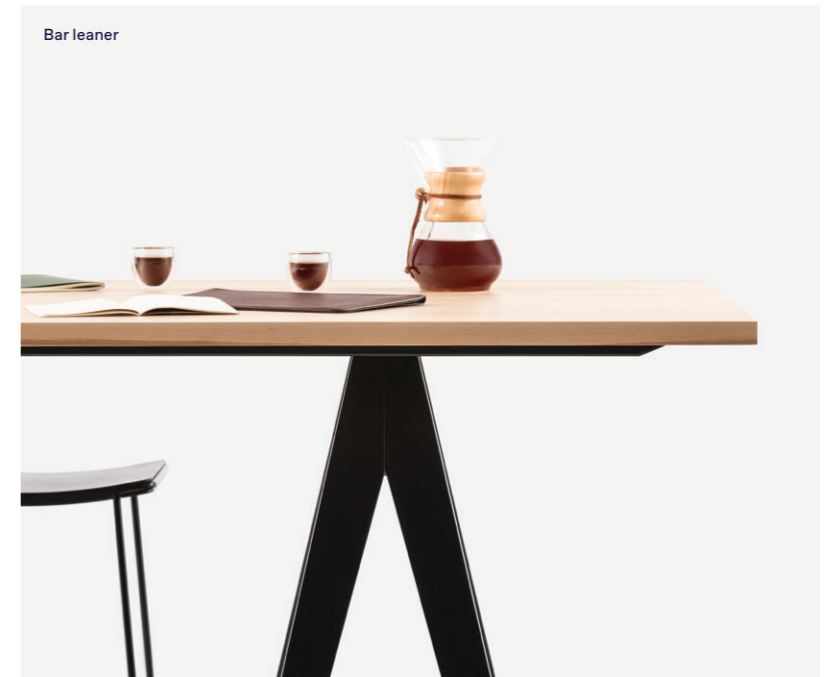


The Stork table provides a relaxed and informal gathering point in any office environment.

Its distinctive and classic leg design is inspired by a timber clothes peg – the concept of pinching the short ends together and retaining them in a groove under the table's surface.

Stork is designed and manufactured locally in solid American White Ash and can be easily relocated because of its stand-alone leg structure and detachable table surface.

Stork is available in a table or leaner height, as well as a variety of coffee table, side table and bench configurations.



Bar leaner

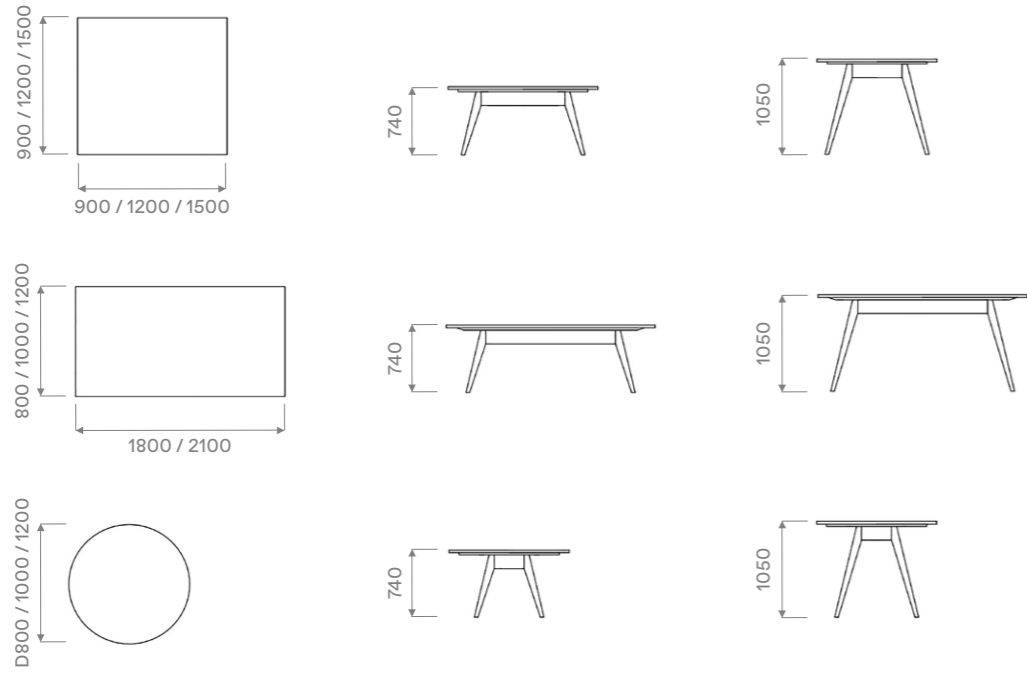
The flat-pack design with demountable trestle legs enables efficient shipping and ease of assembly on site.



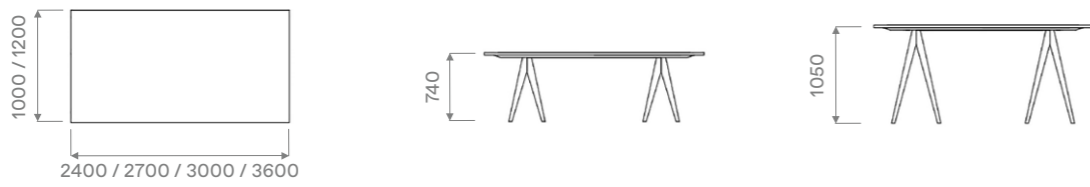
Power integration

Power cables can be fully integrated into the table top with a pivoting power flap that conceals power and USB outlets when not in use, and a seamless internal cable feed through a cavity in the leg frame.

Table or leaner



Trestle table or leaner



Coffee table

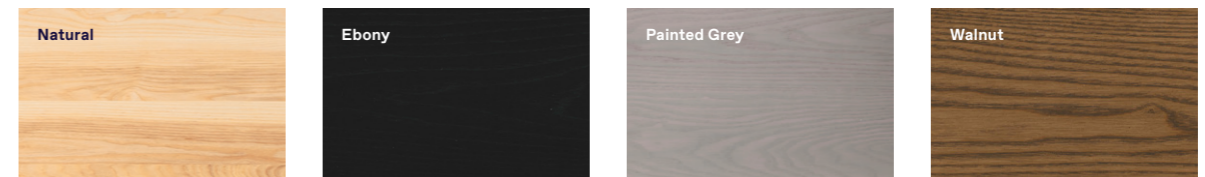


Bench



Standard finishes

Custom finishes are available on request.



We believe that high-performing spaces enable high-performing people.

We place a person's comfort and ease-of-use at the heart of every product and system we create. Aspect designers and workplace specialists help you create a complete office furniture solution that will inspire and support people in their work every day.

Back in 1982, from a small factory in Auckland, Aspect founder and CEO Richard Simmons made his very first furniture prototypes. Driven by a passion for craft and beautiful engineering, he steadily grew the business and is joined today by his three sons and an expert team of designers, engineers and workplace specialists across New Zealand and Australia. Today, Aspect makes collections at the leading edge of international product design, technology, and workplace best practice.

Our focus on crafted, fully resolved commercial furniture means Aspect collections are trusted by some of the largest public and private organisations around Australasia. With nearly 40 years' experience designing and manufacturing collections for the modern workplace, our office furniture has a reputation for being robust, ergonomic, and comfortable throughout the working day.

We make over 70 per cent of our product range in New Zealand and Australia for true control over design, quality, customisation, and lead times. You receive products quickly and reliably from a quality-assured environment. In addition

to speed and flexibility, local manufacturing also creates a smaller environmental footprint.

Our team of product designers and workplace specialists help you define and select a furniture solution to meet your workplace aspirations and project budget using durable and environmentally sound products.


Direct access to our furniture designers means greater flexibility and control over your solution, as we work from our collections, adapt existing products, or design new components.

Aspect Furniture operates ethical and sustainable business practices. We have certification from Good Environmental Choice Australia (GECA) and Environmental Choice New Zealand (ECNZ), and our products are aligned to the Green Star rating tool. Independent certifiers regularly audit our premises under the ISO 9001 and ISO 14001 quality and environmental management systems. Similarly, the health and safety of our employees is vital to our success, and we are certified to the globally recognised AS/NZS 4801 and ISO 45001 occupational health and safety standards.



Furniture, Fittings
and Flooring
Licence Number
3210076





Showrooms

Auckland
Wellington
Christchurch
Sydney
Melbourne
Canberra

New Zealand

0800 323 220
info@aspectfurniture.com

Australia

1800 696 334
infoau@aspectfurniture.com

aspectfurniture.com