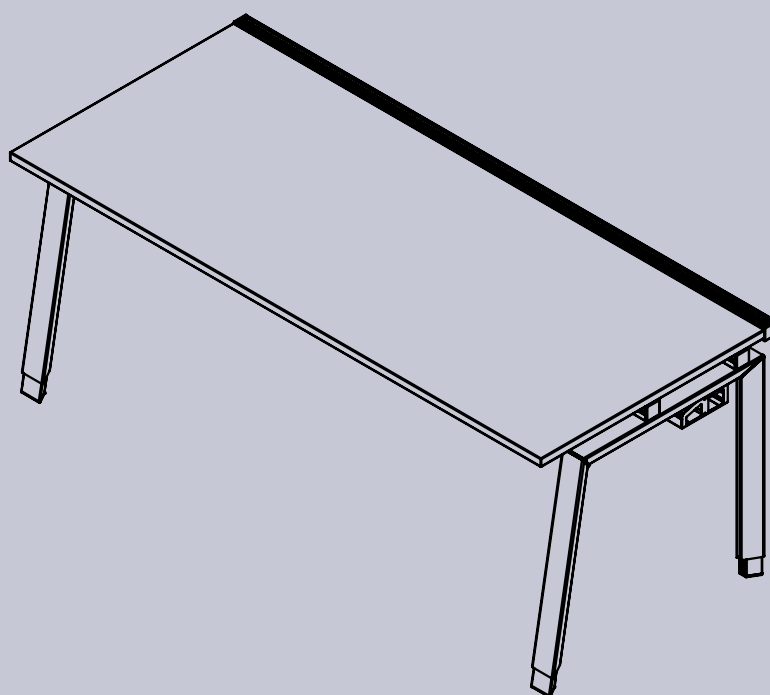


---

aspect 

Runway  
Specification  
Sheet.

---





Runway is a flexible, non-modular desking system that is ideal for agile, collaborative, team workspaces.

The Runway system is architecturally detailed in design, and is ideal for project teams, touchdown points, and other areas where team structures are likely to change over time.

Runway end leg-frames are manufactured in full width, but intermediate leg-frames are set back, out of the leg space area, effectively creating a continuous, linear benching workspace.

Layout and distribution of the individual desk space along the bench can be altered as required.

# Runway offers a range of desking and powerpoint accessories for maximum productivity and privacy.



Runway is complemented with System 18 or 25 Slide screens, which are designed to provide a user-adjustable level of privacy that can be modified instantly depending on the task at hand.

Screens are supplied in a partial width, run in an accessory rail along the central spine of the tabletop and can be pivoted 90°. With the project space, screens can be positioned to provide complete privacy from adjacent staff or can be slid lengthways into the accessory rail to promote collaboration and teamwork.



Additionally, paper trays, powerpoints and planter boxes are available that fit into the accessory rail, and can be added, moved and adjusted easily to suit the needs of the team.

# Aspect Design.



**As furniture designers, our user-centric approach places people at the heart of every decision we make.**

Applying 40+ years' of experience and craftsmanship, we create furniture to inspire and support people in their work every day. Manufacturing locally, and with full in-house design capability, we collaborate with interior designers, architects and clients to tailor-make environments.

We're here to support you in creating workplaces that encourage productivity, creativity and collaboration. High-performing spaces where high-performing people are empowered to do their best work.

# Product specifications.

---

An Aspect product.  
Designed in New Zealand by Aspect Design.  
Made in New Zealand.

---

## Variations

Single desk  
Single desk back-to-back cluster  
Double desk cluster  
4-desk back-to-back cluster  
Studio

## Warranty

10 year warranty for normal commercial use

## Lead time

6 weeks

# Product specifications.

## Desktop finishes

Custom finishes are available upon request.



Snowdrift



Warm White



Rock Salt



Affinity Maple



Seal Grey



Storm



Raw Birch Ply



Rural Oak



Black



Blackened Legno



Refined Oak



Hamptons Elm

## Sub-frame finishes



Mannex Appliance Black



Mannex Appliance White

## Leg options

Runway legs can be angled at 90° or 100°.



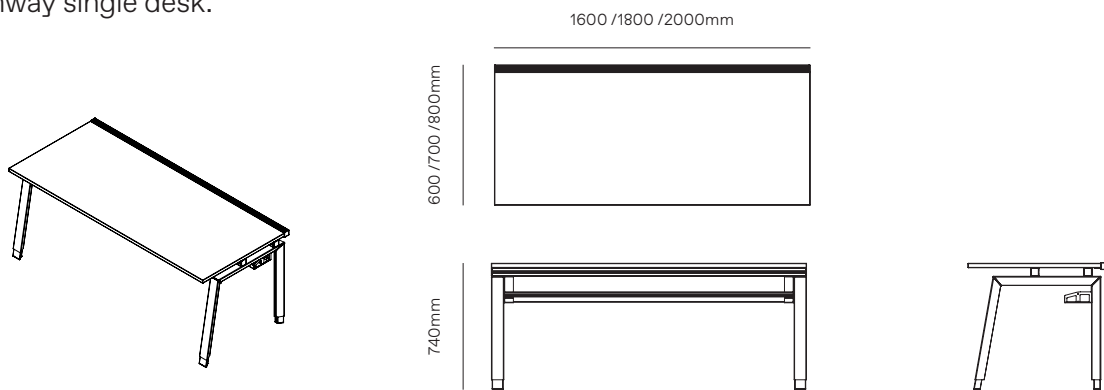
100°



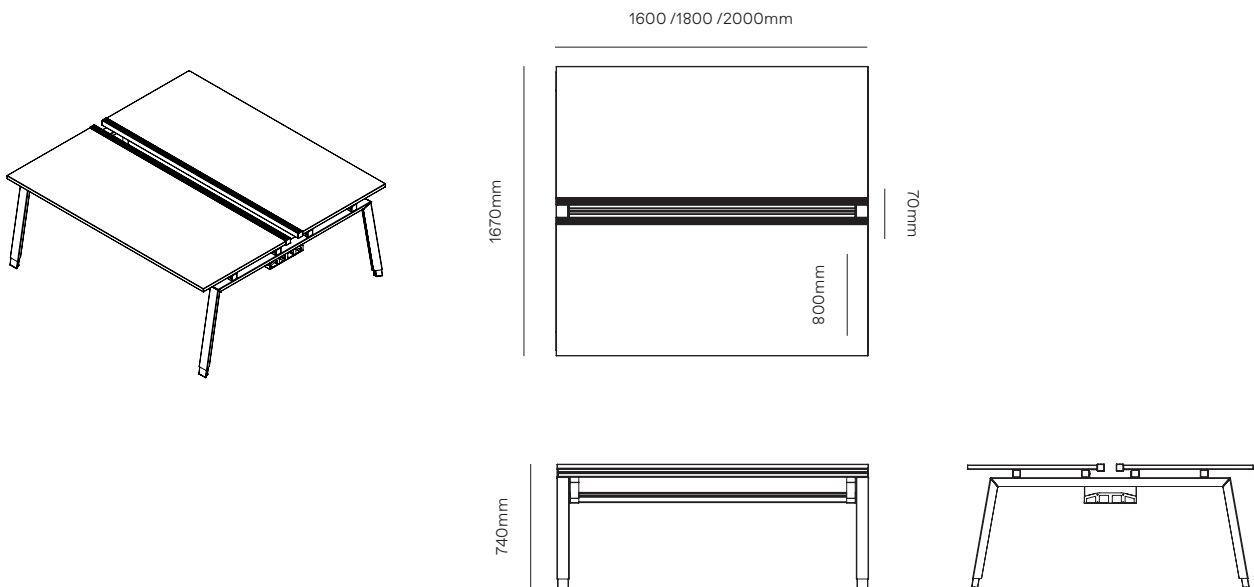
90°

# Product specifications.

Runway single desk.

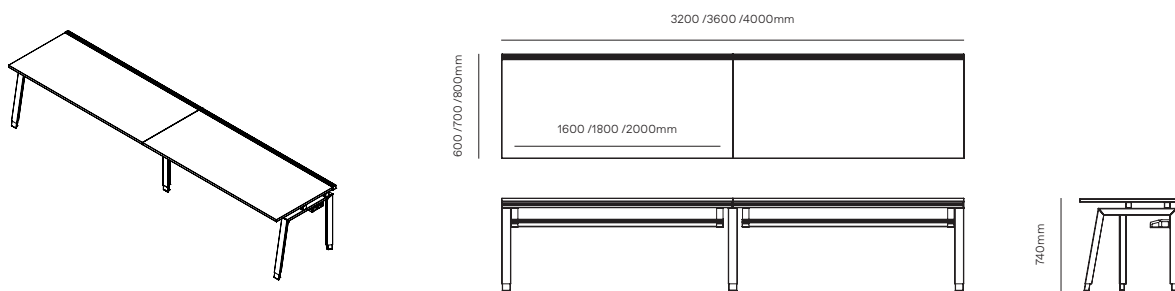


Runway single desk back-to-back cluster.

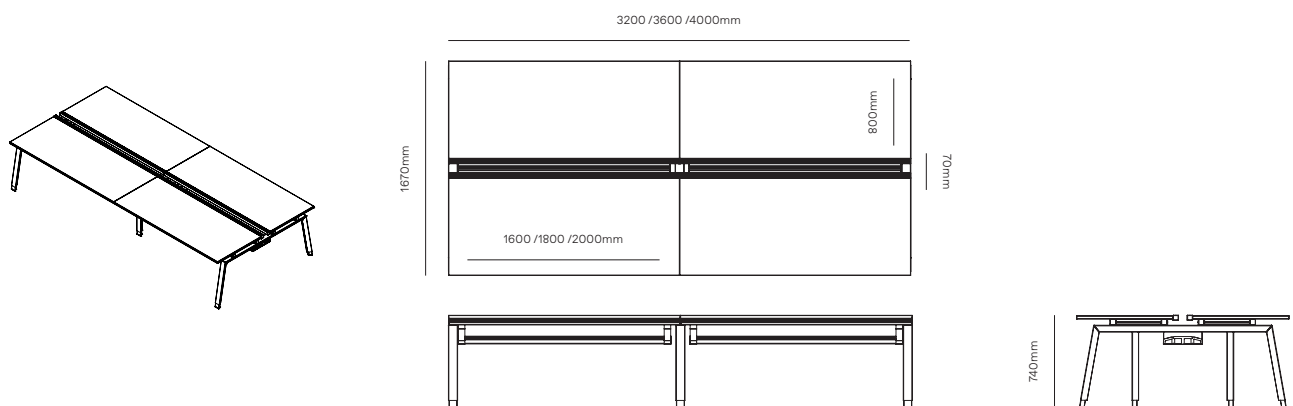


# Product specifications.

Runway double desk cluster.



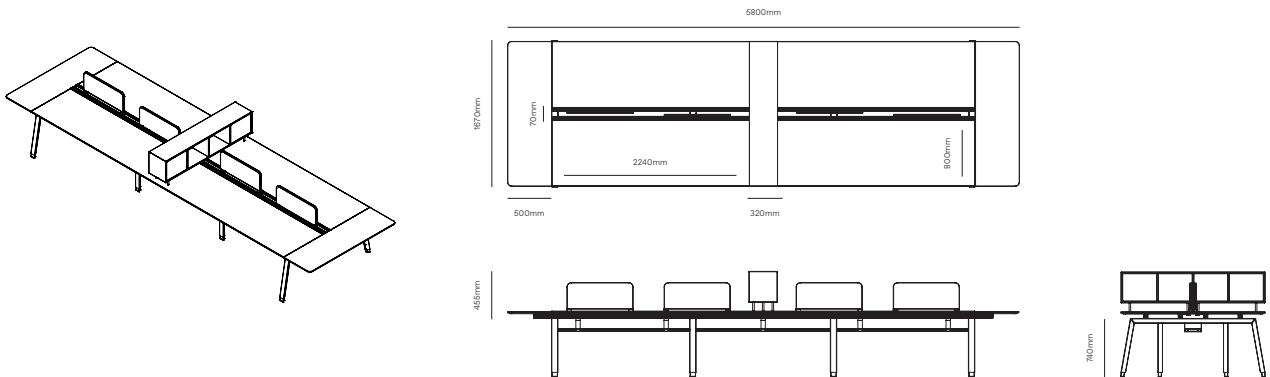
Runway 4-desk back-to-back cluster.





# Product specifications.

Runway studio.

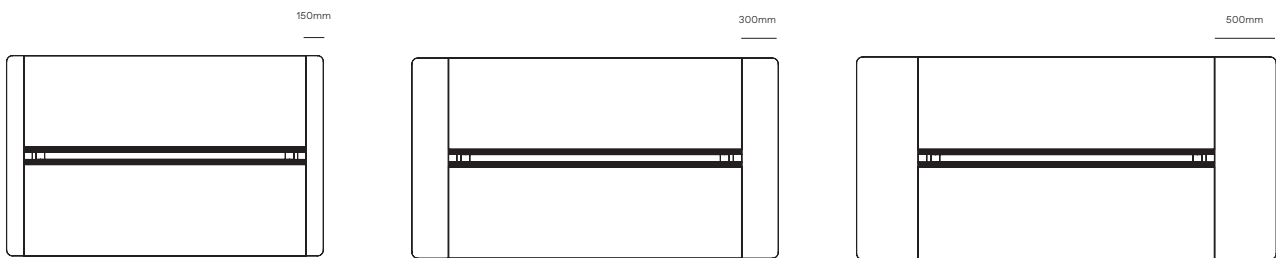


---

# Product specifications.

---

Runway meeting end options.





We are creative problem solvers that champion original thinking. We love sharing ideas, taking something and making it better together.

Please get in touch with us, we'd love to discuss your project.

**New Zealand**  
0800 323 220  
[info@aspectfurniture.com](mailto:info@aspectfurniture.com)

**Australia**  
1800 696 334  
[infoau@aspectfurniture.com](mailto:infoau@aspectfurniture.com)

[aspectfurniture.com](http://aspectfurniture.com)