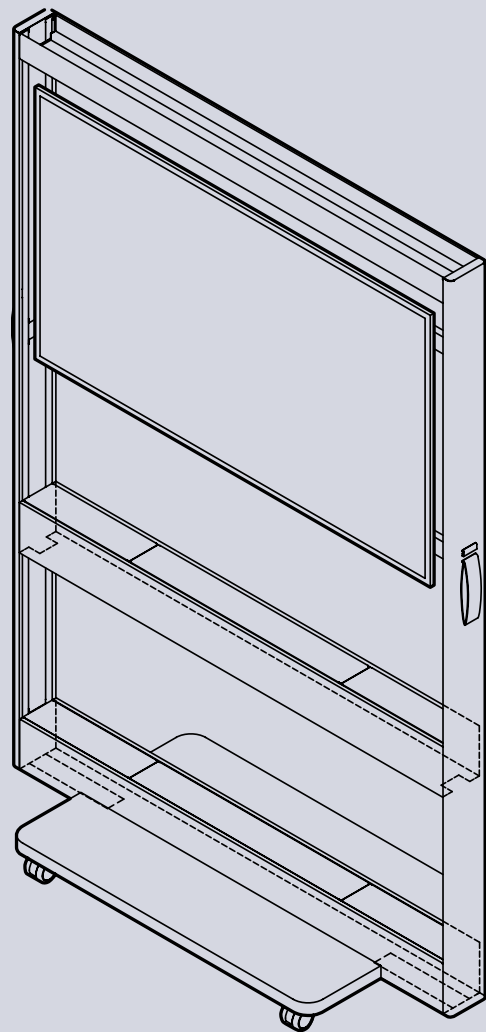


aspect ♡

OKamura

Sprint
Specification
Sheet.





Sprint optimises the working environment according to the needs of the day and the size of the team.

Flexible, fast and mobile, the Sprint range by Okamura allows project teams to optimise their working environment according to the needs of the day and the size of the team.

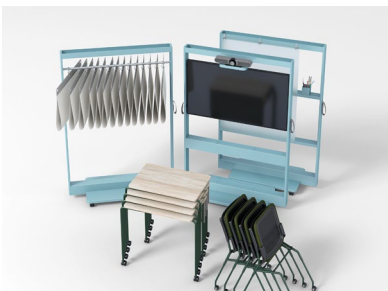
Teams can share ideas quickly by use of the whiteboard and pinboard options, swap out accessories and easily store away desks and stools at the end of the project duration.

Instead of choosing a place to work, your team can now create their own space to maximise collaboration and productivity – offering them the ultimate agile workplace.

Okamura.

Okamura provides products and services that create functional and comfortable spaces, from offices that accommodate diverse working styles to educational institutions where people connect, cultural facilities including theaters and museums, and specialized facilities for research, healthcare and the elderly. Okamura is driven by the mission to contribute to society by creating environments where people can thrive with rich ideas and reliable quality.

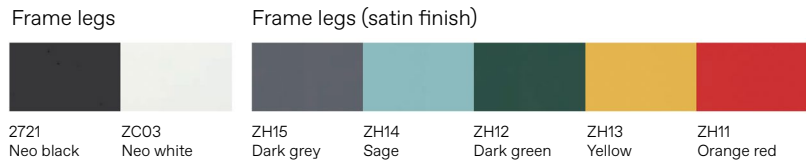
Okamura are focused on improving functionality, safety, durability and reliability of the products by continually developing a vision of how they should be.



Product specifications.

An Okamura product.
Designed by Okamura.
Designed & made in Japan.

Finishes



Variations

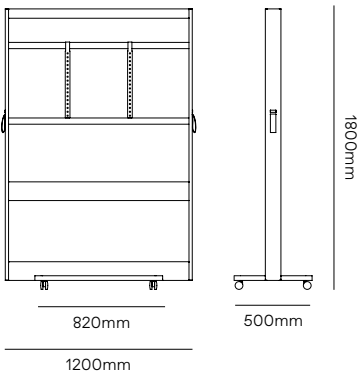
Monitor stand, board stand.

Lead Time

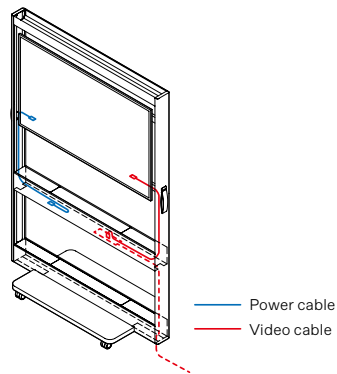
12 - 14 weeks

Monitor stand specifications.

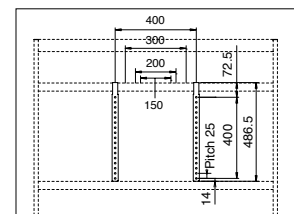
Monitor stand.



Cable management.



Mounting pitch.



Width: 150 | 200 | 300 | 400mm
 Height: 100 | 150 | 200 | 300 | 400mm
 Monitor: Under 50inch, 20kg
 Size: Under 1120W x 700H x 70mmD

Monitor stand accessories.

Web camera stand



Web camera stand – Mounted on the bottom of monitor
 Web camera stand – Mounted on the upper side of the monitor

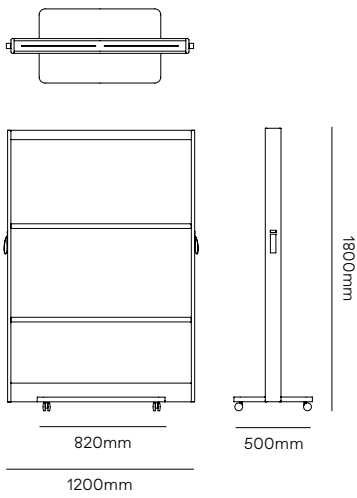
Board (vertical use)



Boards can be mounted even with the monitor installed – if the depth of the monitor is less than the depth of the stand.

Board stand specifications.

Board stand.



Board stand accessories.



Boards
White board, fence board,
felt screen, acrylic board.
1200 x 1200mm
1200 x 600mm



Board (vertical use)
The boards can be
installed vertically.



Board (horizontal use)
By attaching the boards horizontally,
different boards can be stacked for
various uses.





We are creative problem solvers that champion original thinking. We love sharing ideas, taking something and making it better together.

Please get in touch with us, we'd love to discuss your project.

New Zealand
0800 323 220
info@aspectfurniture.com

Australia
1800 696 334
infoau@aspectfurniture.com

aspectfurniture.com