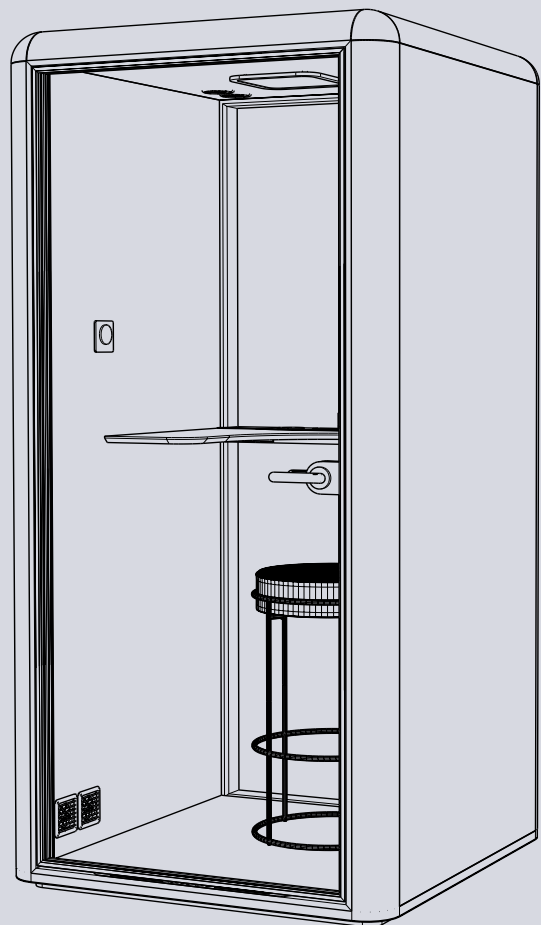

aspect 

Muse Pod
Specification
Sheet.



Defining productivity and flexibility for the individual and the workplace.



In today's open-plan and collaborative workspaces, privacy is in high demand. The need for moments of seclusion, whether for making important calls or hosting meetings, is more pressing than ever.

Muse acoustic pods offer a fast and affordable solution to the shared space dilemma. Muse phone booths and meeting pods provide not only privacy but a well-ventilated, acoustic retreat designed for focused work and uninterrupted, meaningful conversations.

A seamless extension to your work environment, installed in just an hour.



Muse Pod provides flexibility and efficiency, offering multiple sizes to accommodate both individual focus sessions and intimate meetings.



Key features.

The Muse Pod collection offers integrated technology and power configurations to suit your requirements. Quality design and finishes result in an elegant and minimal product that complements any interior.



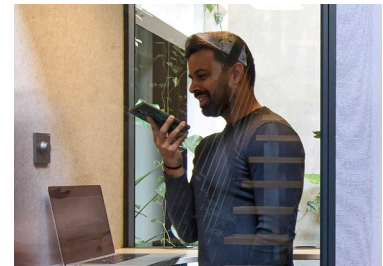
Wireless charging + power

Integrated power solutions allow for seamless technology integration.



Dual air circulation system

Quality ventilation maintains fresh, temperature-regulated air for ultimate comfort and productivity.



Acoustic performance

Internal fabric panels absorb sound and reduce reverberation so you can talk in private with clear, quality sound.



Modular structure

Flat-pack design consisting of six parts allows for quick assembly and disassembly, essential for evolving workplace needs.



Smart lighting sensor

Integrated motion sensor and curved lighting detail provide a warm white, soft light source.



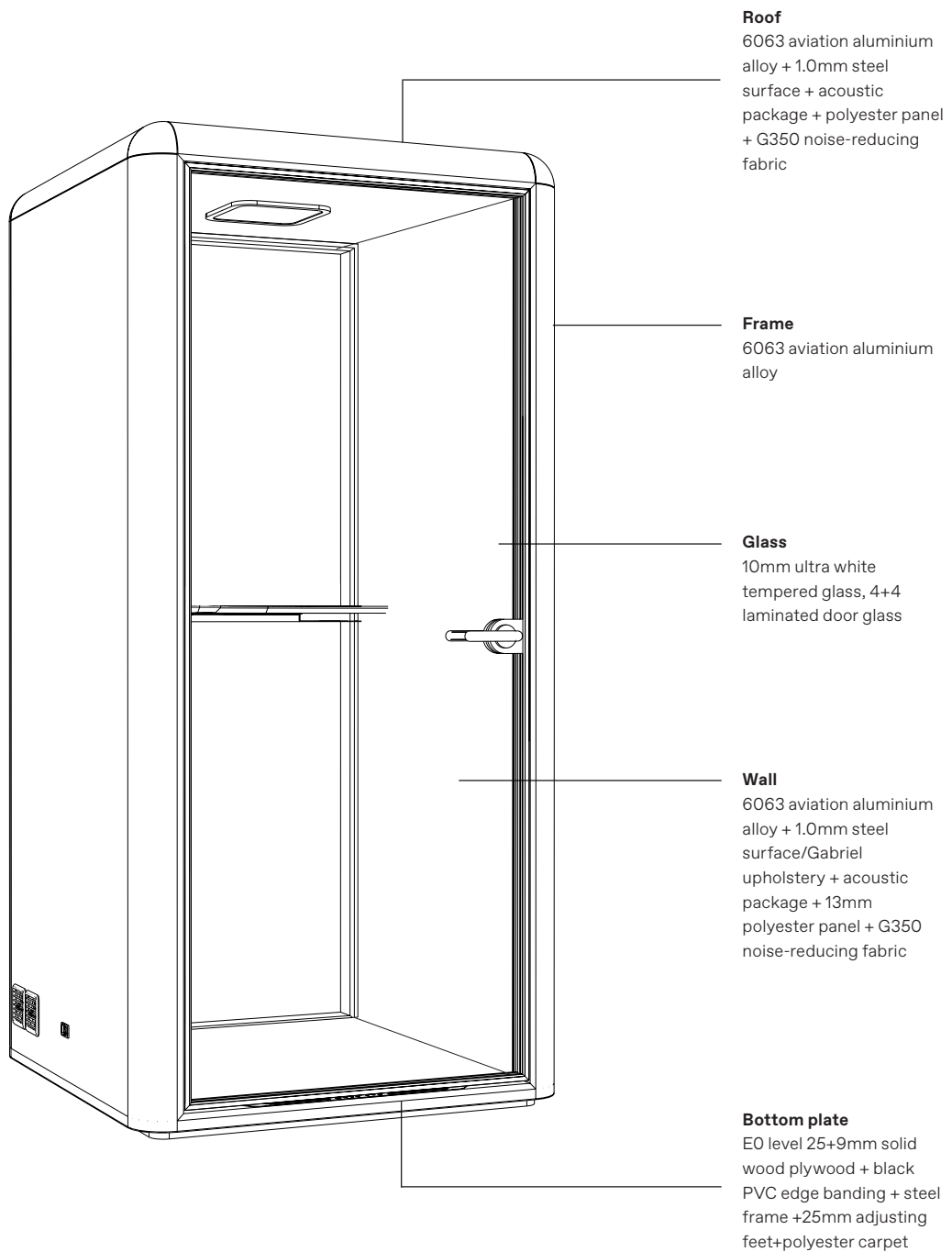
Rounded profile

A considered, rounded profile contributes to a timeless aesthetic.

* Optional occupancy indicator light

Design details.

Muse 1



Product specifications.

An Aspect product.
A partnership with Muse Pod.

Finishes Exterior coating / fabric
Refer to page 9 for colour options

Materials Aluminium, steel, glass, acoustic panel, fabric

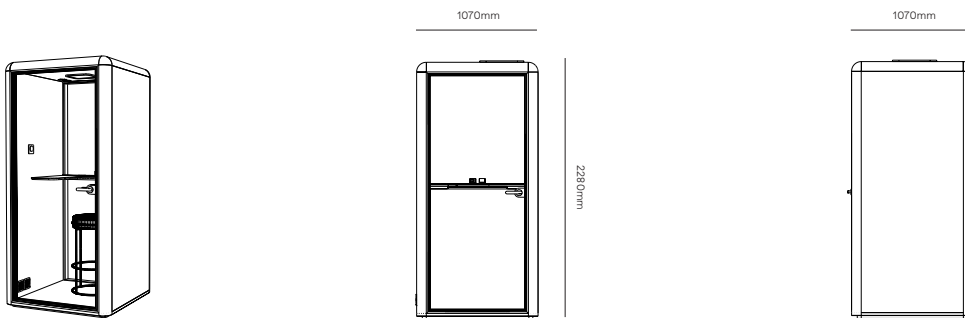
Variations Muse 1, Muse 1.5, Muse 2, Muse 3, Muse 5, and Muse 6

Warranty 10 Years

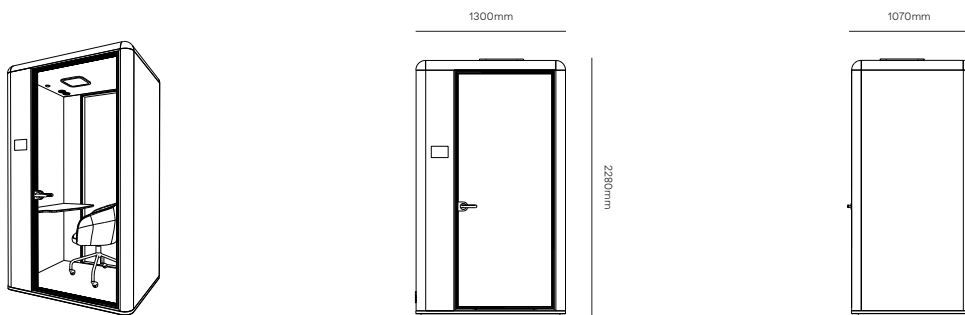
Lead time 1 - 3 weeks for Muse 1
8 - 12 weeks for Muse 1.5, 2, 3, 5, 6

Product specifications.

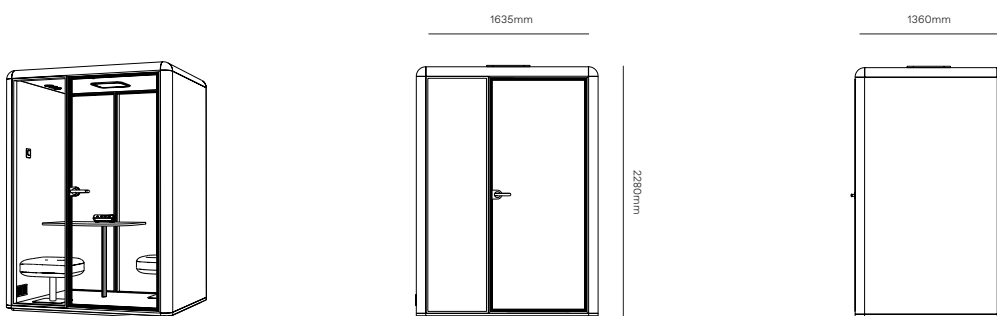
Muse 1



Muse 1.5

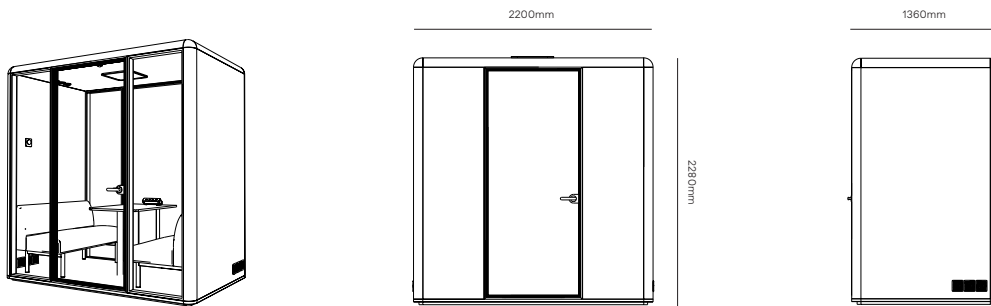


Muse 2

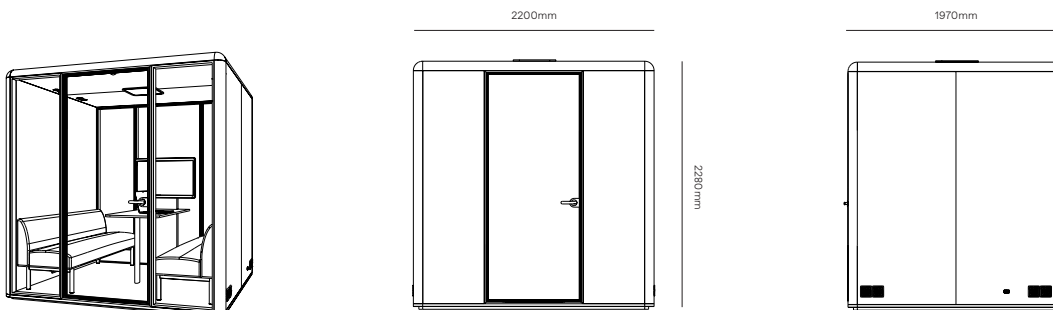


Product specifications.

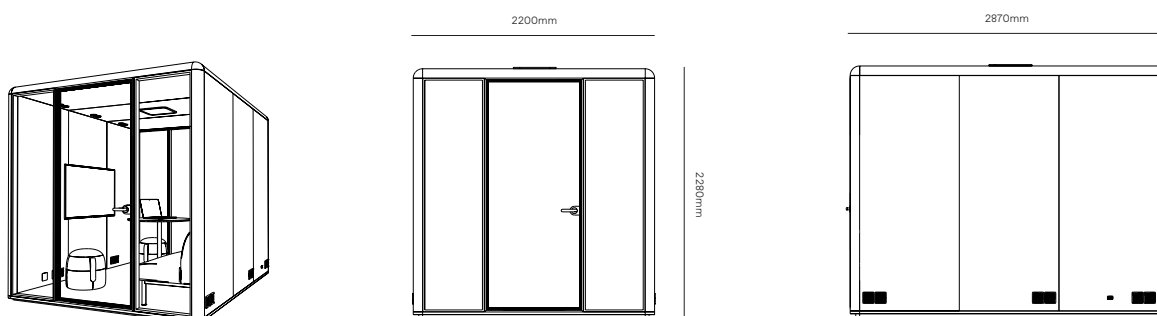
Muse 3



Muse 5

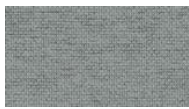


Muse 6



Colour options.

External upholstery



Frost *



Linen



Desert



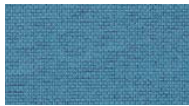
Sangria



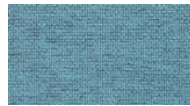
Evergreen



Midnight



Sky



Breeze



Peacock



Burnt Ochre



Brick

* Muse 1 in stock colour finishes

External coating



Clay



Powder



Shadow



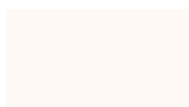
Pistachio



Manuka



Mist



Cloud



Stone

Internal

Carpet

Roof / Bottom plate / Door frame



Fog *



Gravel *



Pebble *

Technical details.

Parameter and power configurations

Muse 1

Consumption: 40W, electrical appliances access less than 1000W
 Ceiling light: 0-20W
 Wall fan: 0.9W, 1500rpm *2
 Roof fan: 1.92W, 2v 150rpm *2

Ventilation: 1.68m3/min, 59.3CFM, air change rate 50/h
 Noise reduction: DS, A 28.5 dB (ISO 23351-1:2020)

Power configuration: 1x USB A/C, 1x wireless pad

Muse 1.5

Consumption: 40W, electrical appliances access less than 1000W
 Ceiling light: 0-20W
 Wall fan: 0.9W, 1500rpm *2
 Roof fan: 1.92W, 2150rpm *2

Ventilation: 1.68m3/min, 59.3CFM, air change rate 46/h
 Noise reduction: DS, A 28.5 dB (ISO 23351-1:2020)

Power configuration: 1x integrated socket, 1x USB A/C

Muse 2

Consumption: 40W, electrical appliances access less than 1000W
 Ceiling light: 0-20W
 Wall fan: 0.9W, 1500rpm *3
 Roof fan: 2.4W, 1800rpm *2

Ventilation: 2.35m3/min, 83CFM, air change rate 45/h
 Noise reduction: DS, A 28.5 dB (ISO 23351-1:2020)

Power configuration: Custom configuration available (to suit internal requirements) ie; USB, A/C, wireless, integrated socket, clamp-on socket

Muse 3

Consumption: 60W, electrical appliances access less than 1000W
 Ceiling light: 0-20W
 Wall fan: 0.9W, 1500rpm *3
 Roof fan: 2.4W, 1800rpm *2

Ventilation: 4.7m3/min, 165CFM, air change rate 56/h
 Noise reduction: DS, A 28.5 dB (ISO 23351-1:2020)

Power configuration: Custom configuration available (to suit internal requirements) ie; USB, A/C, wireless, integrated socket, clamp-on socket

Muse 5

Consumption: 60W, electrical appliances access less than 1000W
 Ceiling light: 0-30W
 Wall fan: 0.9W, 1500rpm *4
 Roof fan: 2.4W, 1800rpm *4

Ventilation: 6.27m3/min, 221CFM, air change rate 52/h
 Noise reduction: DS, A 28.5 dB (ISO 23351-1:2020)

Power configuration: Custom configuration available (to suit internal requirements) ie; USB, A/C, wireless, integrated socket, clamp-on socket

Muse 6

Consumption: 60W, electrical appliances access less than 2000W
 Ceiling light: 0-30W
 Wall fan: 0.9W, 1500rpm *6
 Roof fan: 2.4W, 1800rpm *6

Ventilation: 9.4m3/min, 332CFM, air change rate 52/h
 Noise reduction: DS, A 28.5 dB (ISO 23351-1:2020)

Power configuration: Custom configuration available (to suit internal requirements) ie; USB, A/C, wireless, integrated socket, clamp-on socket



We are creative problem solvers that champion original thinking. We love sharing ideas, taking something and making it better together.

Please get in touch with us, we'd love to discuss your project.

New Zealand
0800 323 220
info@aspectfurniture.com

Australia
1800 696 334
infoau@aspectfurniture.com

aspectfurniture.com